

APPLICATION REQUIREMENTS

This wiring modification is available to models DJ and DH/J Standard-Duty operators with 24Vac control circuits and “D1” type wiring.

NOTE: If C2 or B2 wiring is desired refer to conversion instructions on pages 2 and 3.

FUNCTIONS

This modification stops the operator when extra tension is sensed on the door from the mechanical door lock, obstruction or extensive binding.

OPERATION

When the operator senses extra tension when closing, the Lock Sensor will stop the operator. Press close button and run until the operator shuts off (to unlock door when load removed).

ADJUSTMENT

FINE ADJUSTMENT

- To increase opening force, tighten wing nut.
- To decrease opening force, loosen wing nut.

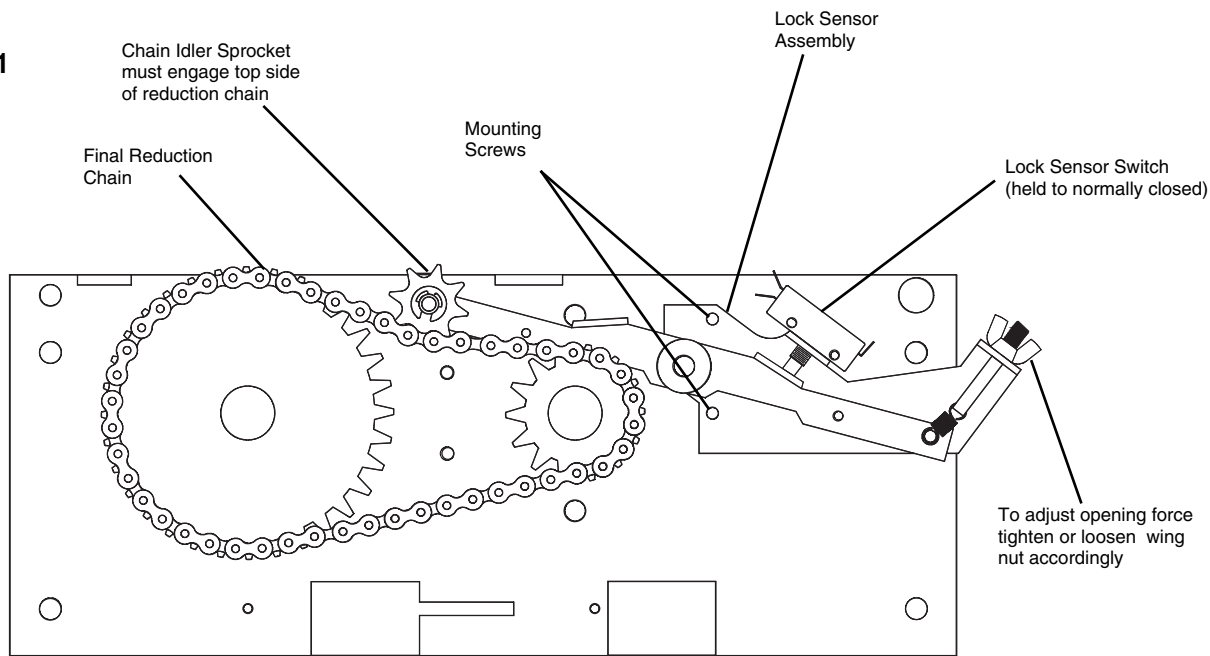
COURSE ADJUSTMENT (if required)

1. Release spring pressure on pivot arm.
2. Loosen but do not remove mounting screws (2).
3. Fully tension final reduction chain and rotate Lock Sensor until switch is in activation mode.
4. Tighten mounting screws (2) to secure Lock Sensor position.
5. Repeat fine adjustments.

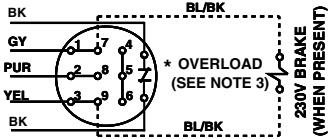
⚠ WARNING

To avoid **SERIOUS PERSONAL INJURY** or **DEATH** from electrocution, disconnect electric power to operator **BEFORE** adjusting Lock Sensor.

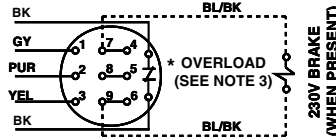
FIGURE 1



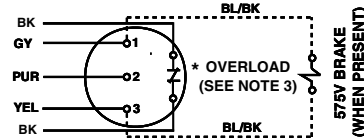
1PH SCHEMATIC DIAGRAM 1827-1



208/230 VOLT - 3 PHASE MOTOR CONNECTION

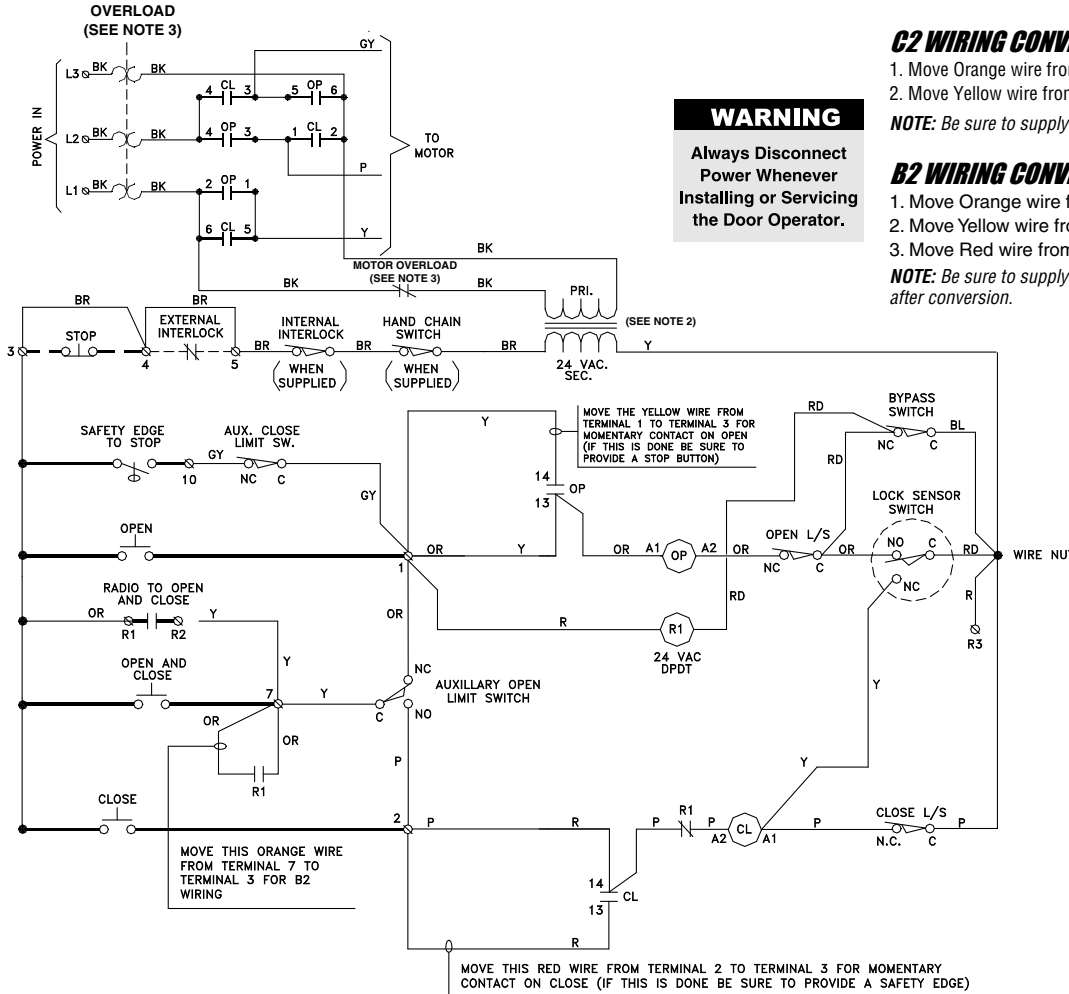


460 VOLT - 3 PHASE MOTOR CONNECTION



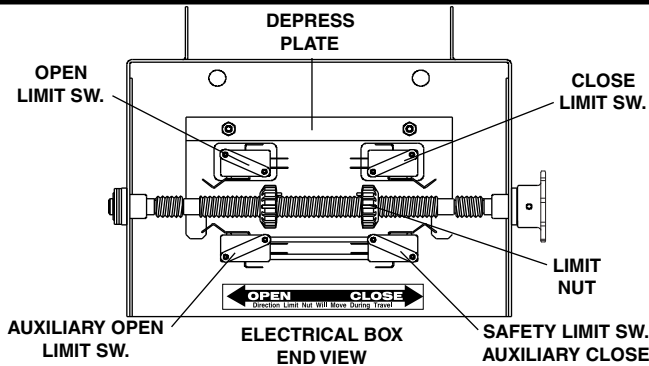
575 VOLT - 3 PHASE MOTOR CONNECTION

* MOTOR O/L LEAD COLOR BROWN



NOTES:

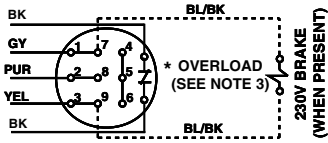
- 1) TO REVERSE MOTOR DIRECTION: INTERCHANGE PURPLE & GRAY MOTOR LEADS AT CONTACTOR 1 & 3.
- 2) TRANSFORMER PRIMARY & RELAY VOLTAGE SAME AS LINE VOLTAGE.
- 3) THREE PHASE UNITS MAY BE EQUIPPED WITH AN INTERNAL PILOT DUTY THERMAL OVERLOAD DEVICE, OR AN EXTERNAL LINE MONITORING DEVICE.



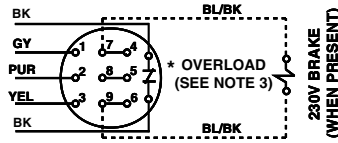
IMPORTANT: Refer to installation manual supplied with this operator, for additional instructions.

1. To adjust limit nuts depress retaining plate to allow nut to spin freely. After adjustment, release plate and ensure it seats fully in slots of both nuts.
2. To increase door travel, spin nut away from actuator. To decrease door travel, spin limit nut toward actuator.
3. Adjust open limit nut so that door will stop in open position with the bottom of the door even with top of door opening.
4. Repeat Steps 1 and 2 for close cycle. Adjust close limit nut so that actuator is engaged as door fully seats at the floor.

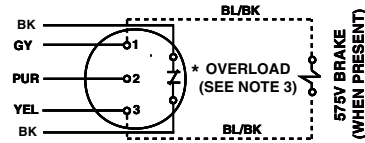
3PH SCHEMATIC DIAGRAM 1827-3



208/230 VOLT - 3 PHASE MOTOR CONNECTION

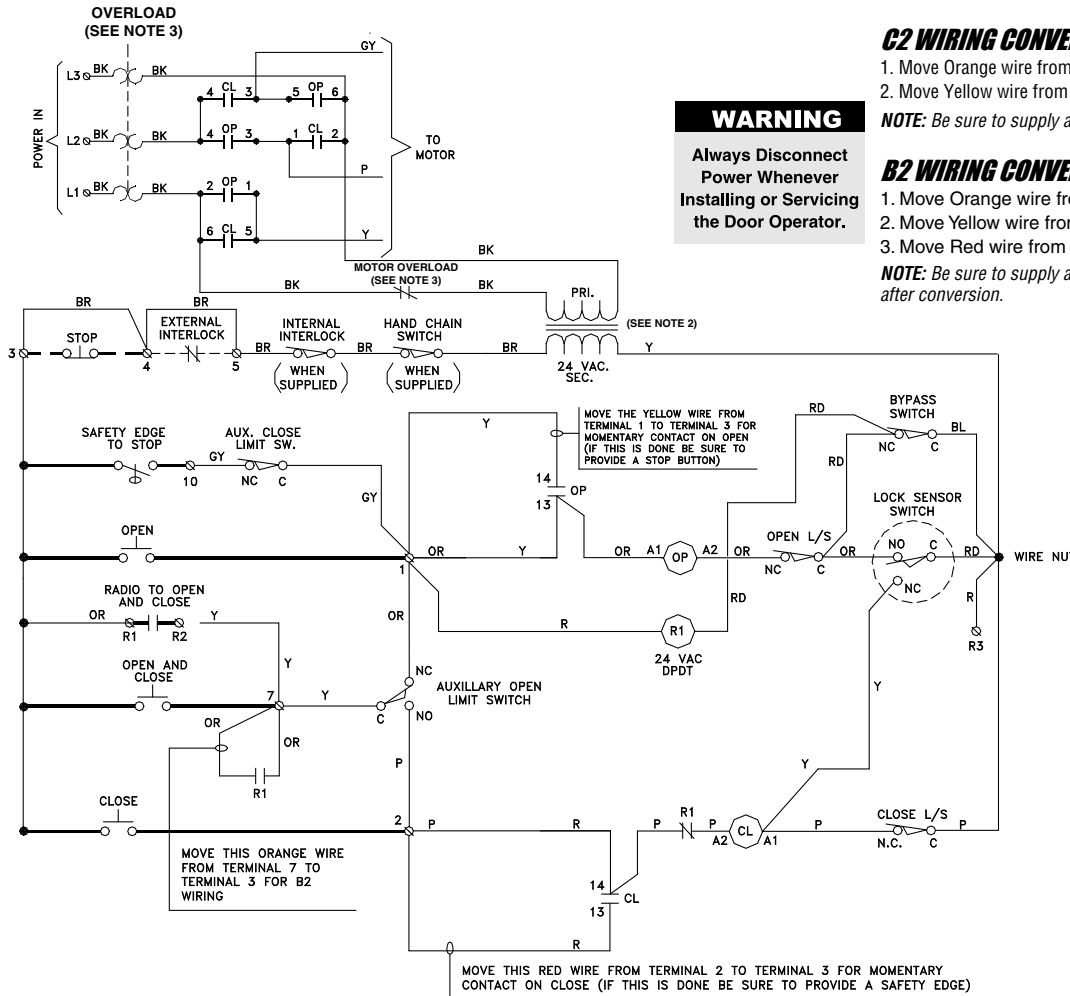


460 VOLT - 3 PHASE MOTOR CONNECTION



575 VOLT - 3 PHASE MOTOR CONNECTION

* MOTOR O/L LEAD COLOR BROWN



WARNING
Always Disconnect Power Whenever Installing or Servicing the Door Operator.

G2 WIRING CONVERSION

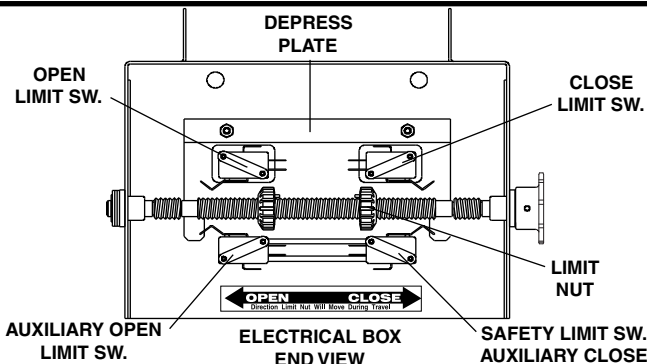
1. Move Orange wire from terminal 7 to terminal 3.
 2. Move Yellow wire from terminal 1 to terminal 3.
- NOTE: Be sure to supply a STOP button after conversion.*

B2 WIRING CONVERSION

1. Move Orange wire from terminal 7 to terminal 3.
 2. Move Yellow wire from terminal 1 to terminal 3.
 3. Move Red wire from terminal 2 to terminal 3.
- NOTE: Be sure to supply a STOP button and safety edge after conversion.*

NOTES:

- 1) TO REVERSE MOTOR DIRECTION: INTERCHANGE PURPLE & GRAY MOTOR LEADS AT CONTACTOR 1 & 3.
- 2) TRANSFORMER PRIMARY & RELAY VOLTAGE SAME AS LINE VOLTAGE.
- 3) THREE PHASE UNITS MAY BE EQUIPPED WITH AN INTERNAL PILOT DUTY THERMAL OVERLOAD DEVICE, OR AN EXTERNAL LINE MONITORING DEVICE.



IMPORTANT: Refer to installation manual supplied with this operator, for additional instructions.

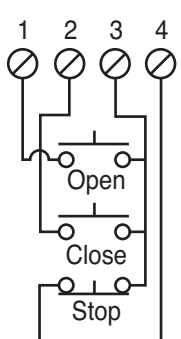
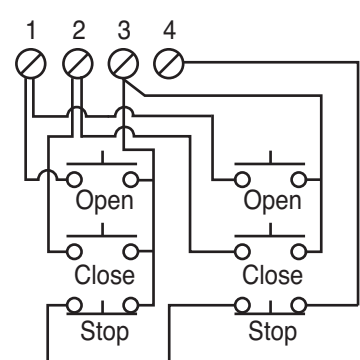
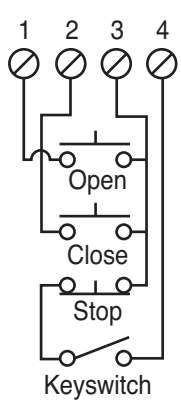
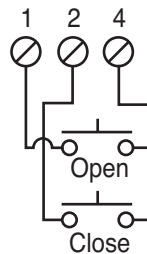
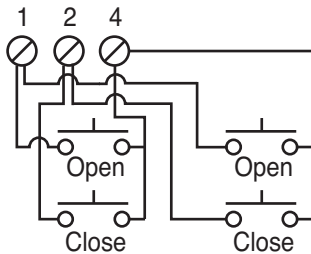
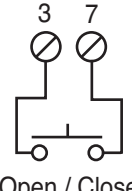
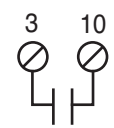
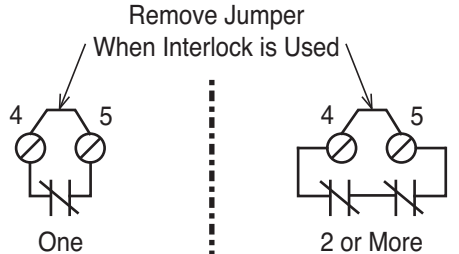
1. To adjust limit nuts depress retaining plate to allow nut to spin freely. After adjustment, release plate and ensure it seats fully in slots of both nuts.
2. To increase door travel, spin nut away from actuator. To decrease door travel, spin limit nut toward actuator.
3. Adjust open limit nut so that door will stop in open position with the bottom of the door even with top of door opening.
4. Repeat Steps 1 and 2 for close cycle. Adjust close limit nut so that actuator is engaged as door fully seats at the floor.

CONTROL CONNECTION DIAGRAM

IMPORTANT NOTES:

1. The 3-Button Control Station provided must be connected for operation.
2. If a STOP button is not used, a jumper must be placed between terminals 3 and 4.
3. Auxiliary control equipment may be any normally open two wire device such as pullswitch, single button control station, loop detector, card key or such device.

ATTENTION ELECTRICIAN:
USE 16 GAUGE OR HEAVIER WIRE
FOR ALL CONTROL CIRCUIT WIRING.

3 BUTTON STATION OR 3 POSITION KEYSWITCH WITH SPRING RETURN TO CENTER AND STOP BUTTON		
<p style="text-align: center;">STANDARD</p>  <p style="text-align: center;">ALL CONTROL WIRING TYPES</p>	<p style="text-align: center;">2 OR MORE</p>  <p style="text-align: center;">ALL CONTROL WIRING TYPES</p>	<p style="text-align: center;">KEY LOCKOUT</p>  <p style="text-align: center;">ALL CONTROL WIRING TYPES</p>
2 BUTTON STATION OR 3 POSITION KEYSWITCH WITH SPRING RETURN TO CENTER		1 BUTTON STATION OR ANY AUXILIARY DEVICE
<p style="text-align: center;">STANDARD</p>  <p style="text-align: center;">ALL CONTROL WIRING TYPES</p>	<p style="text-align: center;">2 OR MORE</p>  <p style="text-align: center;">ALL CONTROL WIRING TYPES</p>	 <p style="text-align: center;">B2 OR T1 WIRING TYPES ONLY</p>
SENSING DEVICE TO REVERSE OR STOP	EXTERNAL INTERLOCK	
 <p style="text-align: center;">Sensing Device</p> <p style="text-align: center;">ALL CONTROL WIRING TYPES</p>	<p style="text-align: center;">Remove Jumper When Interlock is Used</p>  <p style="text-align: center;">ALL CONTROL WIRING TYPES</p>	